



METAL FORM MANUFACTURING CO., INC
 5960 WEST WASHINGTON STREET
 PHOENIX, ARIZONA 85043
 TELEPHONE: 602-233-1211 FAX: 602-233-2033
 WEBSITE ADDRESS: WWW.MFMCA.COM

Model MFLA-6-36 Fabricated Acoustical Louver

6" Deep Plain Blade
 Regular or Low Pressure

Specifications

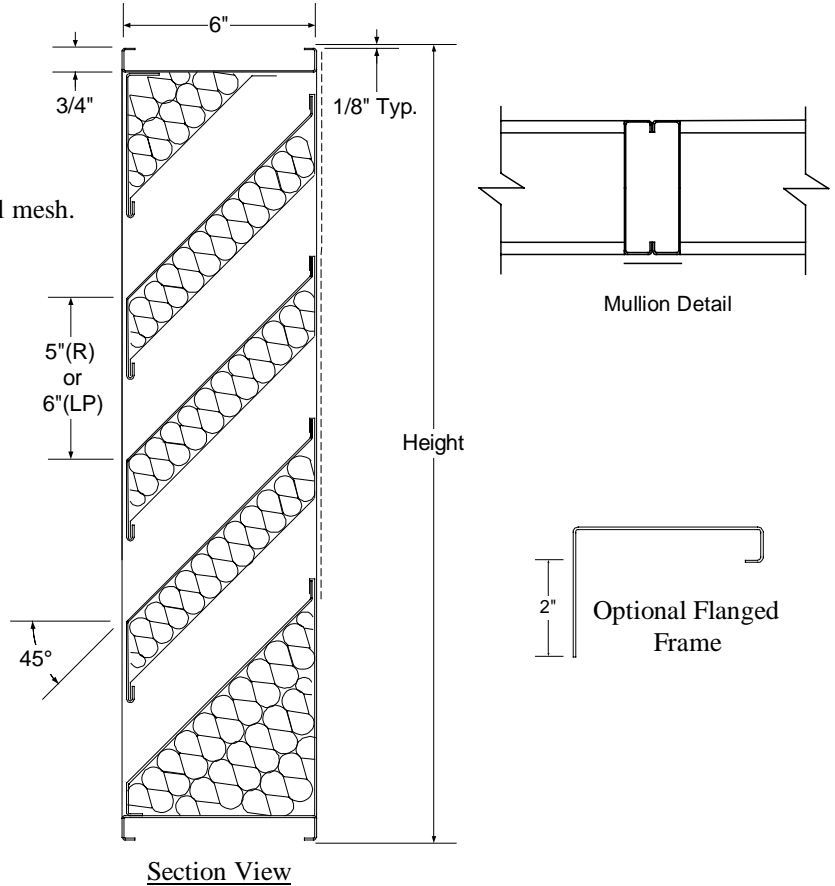
- Frame:** 18ga. galvanized channel frame.
- Blades:** 18ga. galvanized steel / 22ga. galvanized perforated steel.
- Insulation:** 2 lb. density fiberglass.
- Screen:** 1/2" x 1/2" x 19ga. galvanized steel mesh.
- Finish:** Standard mill.
- Minimum size:** 12"w x 18"h.
- Maximum size:** 72"w x 96"h.
Multiple section - unlimited size.

Options

- Flanged frame.
- Sill extension.
- Sleeves.
- Sub frame (requires flanged louver).
- Screens - Many variations of screens are available, consult factory.
- Finishes - Many types of finishes are available, consult factory.
- Other options are available, consult factory.

Notes

1. Width x height are nominal opening dimensions. Unless specified otherwise, units will be constructed 1/4" undersize.
2. Metal Form reserves the right to improve design or change specifications at any time.



Tag	Qty.	Width	Height	No. of Panels (W x H)	Options	Finishes/Specify	Remarks

Project: _____
Architect: _____
Engineer: _____
Contractor: _____

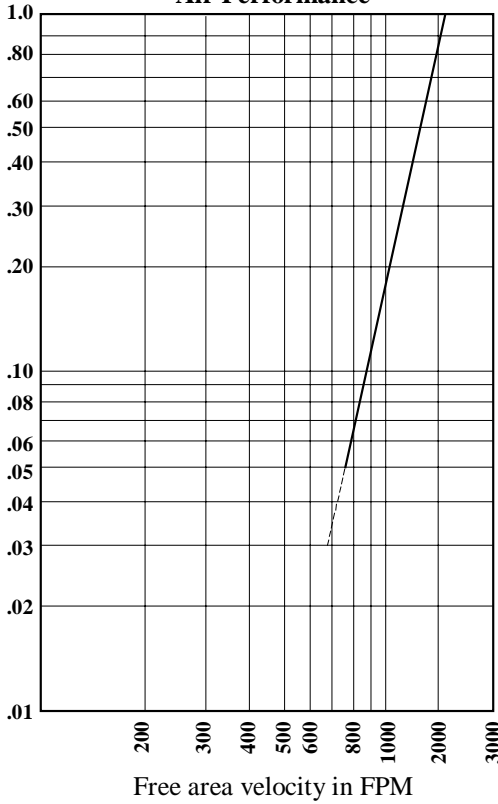
©1998 Metal Form Manufacturing Co., Inc.
 Form No. LA-6-3698

Refer to back page for performance data.

Model MFLA-6-36 Performance Data

Regular Pressure

Air Performance



Acoustical

Octave Band/Frequency.Hz	1/63	2/125	3/250	4/500	5/1k	6/2k	7/4k	8/8k
Transmission Loss. db	6	9	10	11	15	19	17	16
Noise Reduction.db	12	13	16	18	21	25	26	24

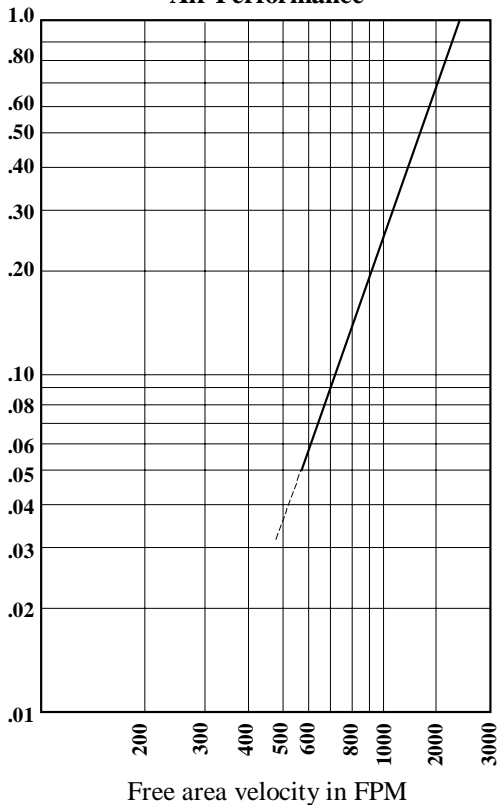
Free Area Chart - Sq. Ft.

Height	12	18	24	30	36	42	48	54	60	66	72
96	1.92	3.05	4.17	5.30	6.42	7.55	8.67	9.80	10.92	12.05	13.17
90	1.78	2.81	3.85	4.89	5.93	6.97	8.10	9.05	10.09	11.13	12.17
84	1.60	2.54	3.48	4.41	5.35	6.29	7.23	8.16	9.10	10.04	10.98
78	1.49	2.37	3.24	4.12	4.99	5.87	6.74	7.62	8.49	9.37	10.24
72	1.39	2.20	3.01	3.83	4.64	5.45	6.26	7.08	7.89	8.70	9.51
66	1.28	2.03	2.78	3.53	4.28	5.03	5.78	6.53	7.28	8.03	8.78
60	1.13	1.80	2.46	3.13	3.79	4.45	5.12	5.78	6.45	7.11	7.78
54	.96	1.52	2.09	2.65	3.21	3.77	4.34	4.90	5.46	6.02	6.59
48	.85	1.35	1.85	2.35	2.85	3.35	3.85	4.35	4.85	5.35	5.85
42	.75	1.18	1.62	2.06	2.50	2.93	3.37	3.81	4.25	4.68	5.12
36	.64	1.02	1.39	1.77	2.14	2.52	2.89	3.27	3.64	4.02	4.39
30	.49	.78	1.07	1.36	1.65	1.94	2.23	2.52	2.81	3.10	3.38
24	.32	.51	.70	.88	1.07	1.26	1.45	1.63	1.82	2.01	2.20
18	.21	.34	.46	.59	.71	.84	.96	1.09	1.21	1.34	1.46

Width

Low Pressure

Air Performance



Acoustical

Octave Band/Frequency.Hz	1/63	2/125	3/250	4/500	5/1k	6/2k	7/4k	8/8k
Transmission Loss. db	2	7	8	10	13	15	13	12
Noise Reduction.db	9	12	15	16	18	20	19	18

Free Area Chart - Sq. Ft.

Height	12	18	24	30	36	42	48	54	60	66	72
96	2.44	3.86	5.29	6.71	8.14	9.56	10.99	12.42	13.84	15.27	16.69
90	2.27	3.60	4.93	6.27	7.60	8.93	10.26	11.59	12.92	14.25	15.58
84	2.11	3.35	4.58	5.82	7.05	8.29	9.53	10.76	12.00	13.23	14.47
78	1.95	3.09	4.23	5.37	6.51	7.65	8.79	9.93	11.07	12.21	13.35
72	1.79	2.83	3.88	4.92	5.97	7.01	8.06	9.11	10.15	11.20	12.24
66	1.62	2.57	3.52	4.48	5.43	6.38	7.33	8.28	9.23	10.18	11.13
60	1.46	2.32	3.17	4.03	4.88	5.74	6.59	7.45	8.31	9.16	10.02
54	1.30	2.06	2.82	3.58	4.34	5.10	5.86	6.62	7.38	8.14	8.90
48	1.14	1.80	2.47	3.13	3.80	4.46	5.13	5.79	6.46	7.12	7.79
42	.97	1.54	2.11	2.69	3.26	3.83	4.40	4.97	5.54	6.11	6.68
36	.81	1.29	1.76	2.24	2.71	3.19	3.66	4.14	4.61	5.09	5.56
30	.65	1.03	1.41	1.79	2.17	2.55	2.93	3.31	3.69	4.07	4.45
24	.49	.77	1.06	1.34	1.63	1.91	2.20	2.48	2.77	3.05	3.34
18	.32	.51	.70	.90	1.09	1.28	1.47	1.66	1.85	2.04	2.23

Width