



METAL FORM MANUFACTURING CO., INC
 5960 WEST WASHINGTON STREET
 PHOENIX, ARIZONA 85043
 TELEPHONE: 602-233-1211 FAX: 602-233-2033
 WEBSITE ADDRESS: WWW.MFMCA.COM

Model MFD-33HD2 Counterbalanced Backdraft Damper Heavy Duty /Steel Blade

Specifications

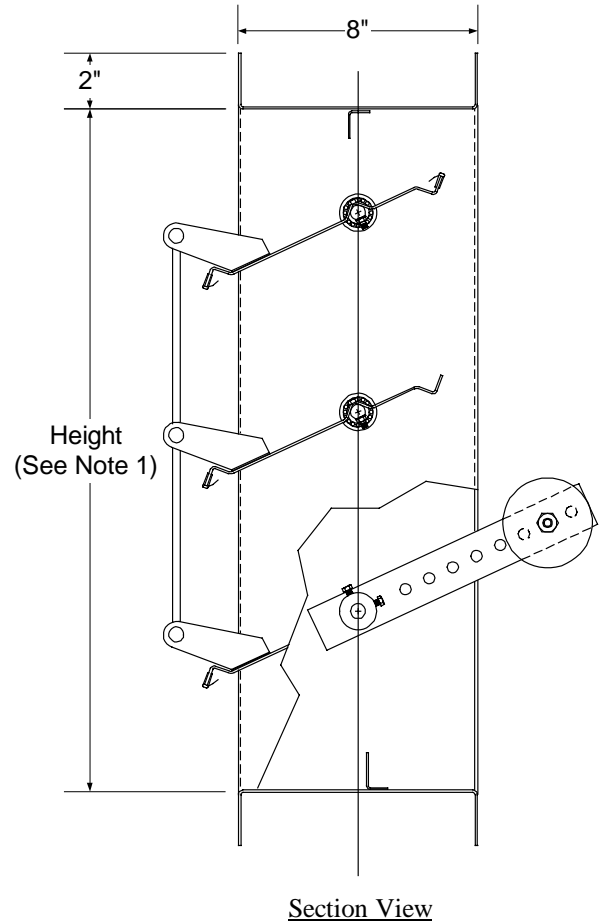
- Frame:** 14ga. Galvanized steel channel frame.
- Blades:** 16ga. Galvanized steel triple-v-groove.
- Bearings:** 1/2" I.D. Ball bearings.
- Axles:** 1/2" Dia. full length rods.
- Seals:** PVC grip seal.
- Counterweights:** Externally mounted to extended rod. Field adjustable.
- Linkage:** Plated steel brackets, brass pivots, 1/4" diameter linkage rod.
- Max. Velocity:** 3500 FPM @ 5" w.g.
- Minimum size:** 12" x 12" single blade
- Maximum single section:** 48"w x 72"h.

Options

- Stainless steel construction.
- Various materials and gauges are available, consult factory.
- Other options available, consult factory.

Notes

1. Width x height are actual dimensions, measured to the I.D. of the flanged frame.
2. Metal Form reserves the right to improve design or change specifications at any time.



Tag	Qty.	Width	Height	No. of Panels (W x H)	Options	Finishes/Specify	Remarks

Project: _____
Architect: _____
Engineer: _____
Contractor: _____