



METAL FORM MANUFACTURING CO., INC
 5960 WEST WASHINGTON STREET
 PHOENIX, ARIZONA 85043
 TELEPHONE: 602-233-1211 FAX: 602-233-2033
 WEBSITE ADDRESS: WWW.MFMCA.COM

Model MFA-15 Extruded Aluminum Stationary Louver 6" Deep Baffled Blade

Specifications

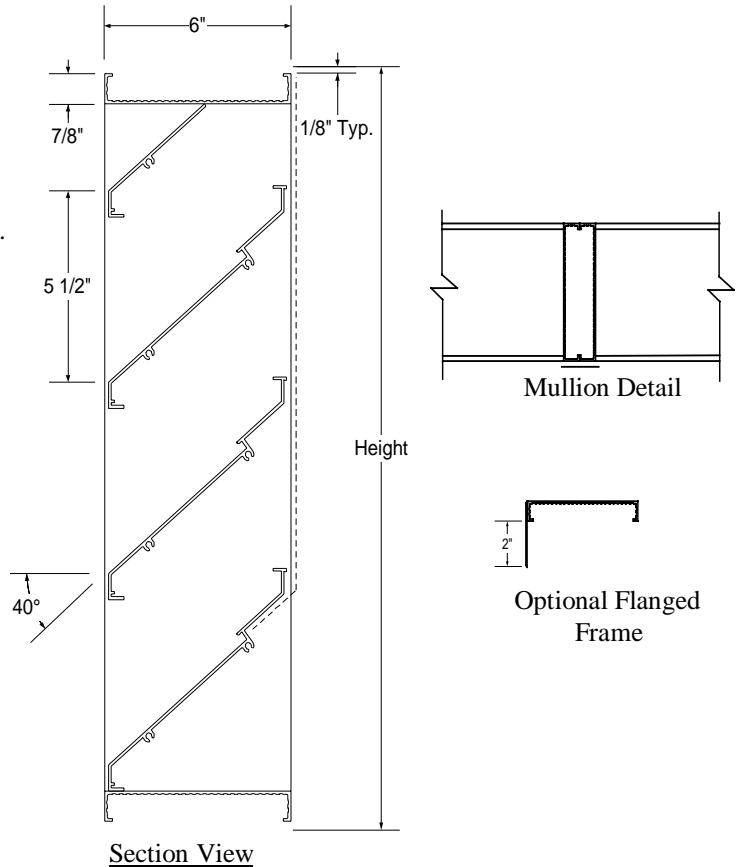
- Frame:** .100" 6063-T5 extruded aluminum channel frame.
- Blades:** .081" 6063-T5 extruded aluminum.
- Screen:** 1/2" x .051" flattened expanded aluminum.
- Finish:** Standard mill.
- Minimum size:** 12" w x 12" h.
- Maximum size:** 72" w x 96" h.
Multiple section - unlimited size.

Options

- Flanged frame.
- Architectural mullions.
- Sill extension.
- Sleeves.
- Sub frame (requires flanged louver).
- Screens - Many variations of screens are available, consult factory.
- Finishes - Many types of finishes are available, consult factory.
- Other options available, consult factory.

Notes

1. Width x height are nominal opening dimensions. Unless specified otherwise, units will be constructed 1/4" undersize.
2. Metal Form reserves the right to improve design or change specifications at any time.



Model MFA-15 is AMCA licensed for air performance.

Tag	Qty.	Width	Height	No. of Panels (W x H)	Options	Finishes/Specify	Remarks

Project: _____
Architect: _____
Engineer: _____
Contractor: _____

©1998 Metal Form Manufacturing Co., Inc.
 Form No. A-1598
 Supersedes Form No. A-1589

Refer to back page for performance data.

